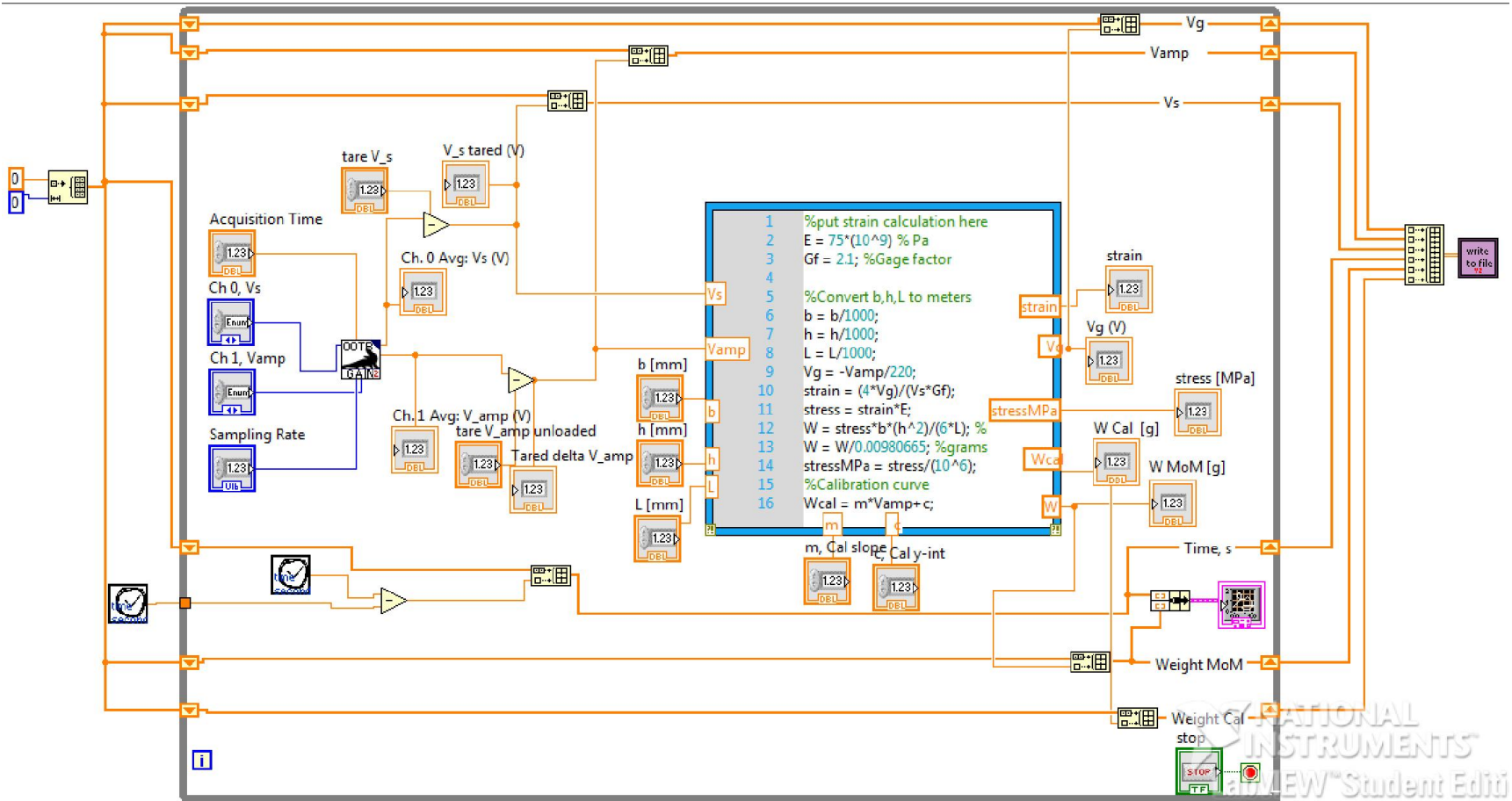


Matthew Moraguez

### LabVIEW Sample Work

Below is a screenshot of the LabVIEW block diagram for my Mechanics of Materials Lab. In this lab, an aluminum cantilever beam with a strain gage attached was used to weigh objects placed on the free end of the beam.



Ch 0, Vs

-5 to 5

Ch. 0 Avg: Vs (V)

0

tare V\_s

0

V\_s tared (V)

0

stop

STOP

Ch 1, Vamp

-5 to 5

Ch. 1 Avg: V\_amp (V)

0

tare V\_amp unloaded

0

Tared delta V\_amp (V)

0

Vg (V)

0

Acquisition Time

0.10 s

Sampling Rate

1000 Hz

ch0



ch1



ch2



ch3



h [mm]

3.2385

strain

0

L [mm]

203.9

stress [MPa]

0

b [mm]

25.476

W MoM [g]

0

m, Cal slope

0

W Cal [g]

0

c, Cal y-int

0

