

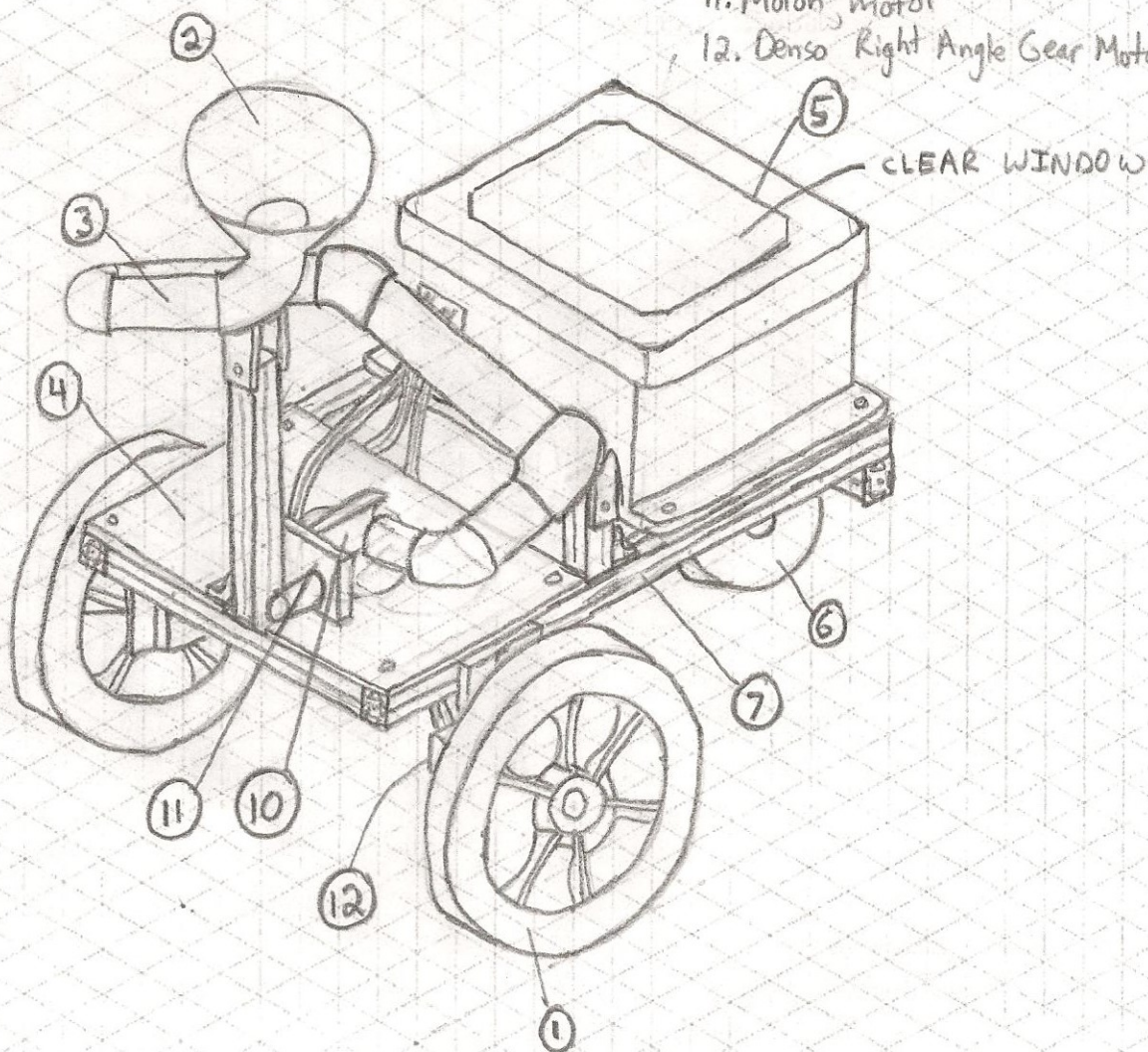
FIGURE 4F

(isometric view)

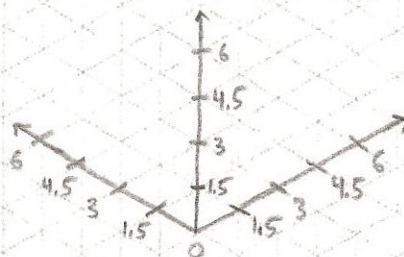
Matthew Moraguez

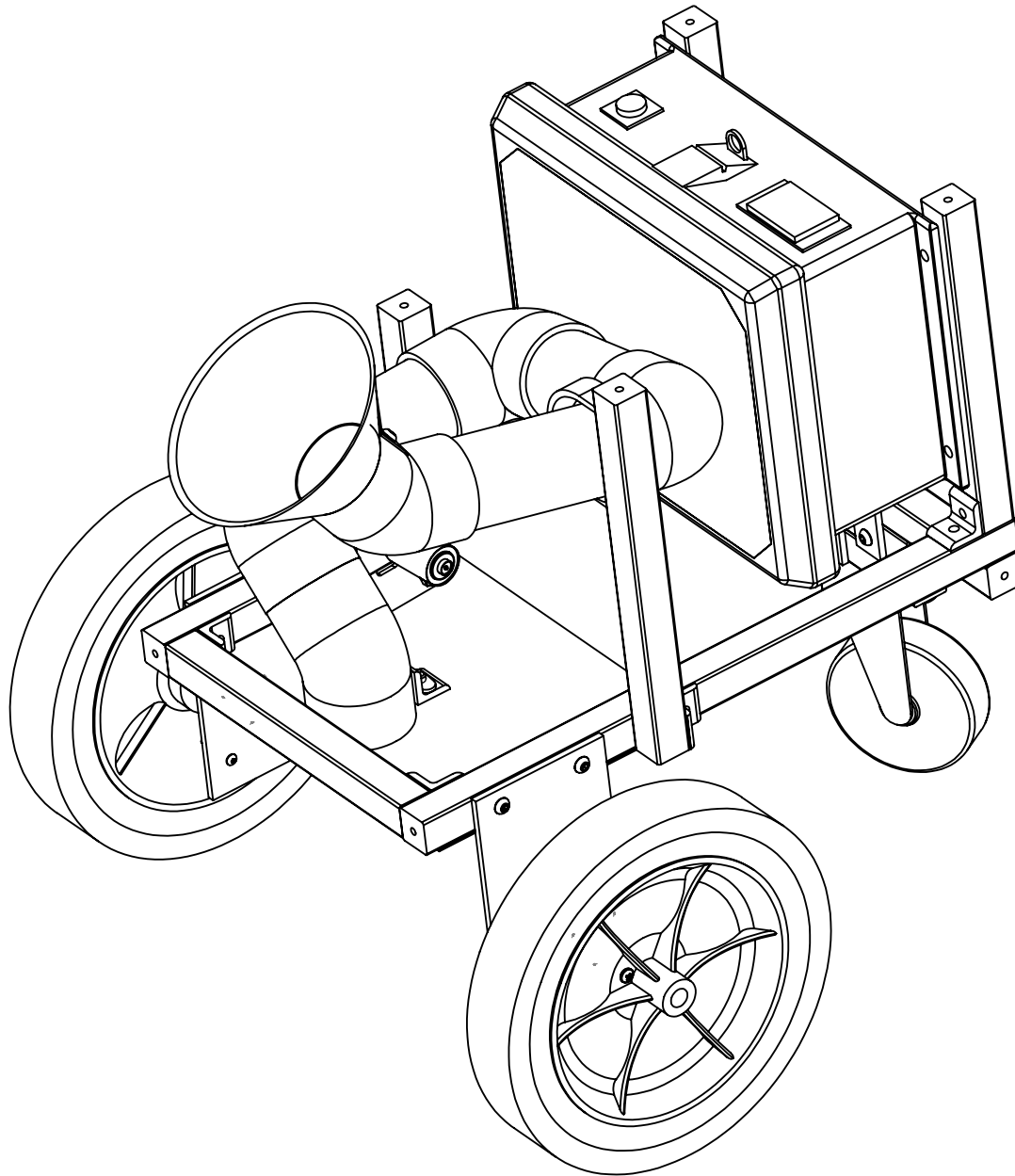
Annotations:

1. Drive wheel
2. Funnel
3. PVC pipe
4. 15 ga steel sheet metal
5. Control box
6. 95 caster
7. 80/20 extruded aluminum
10. Dispensing mechanism
11. Molon, motor
12. Denso Right Angle Gear Motor



Scale in inches:



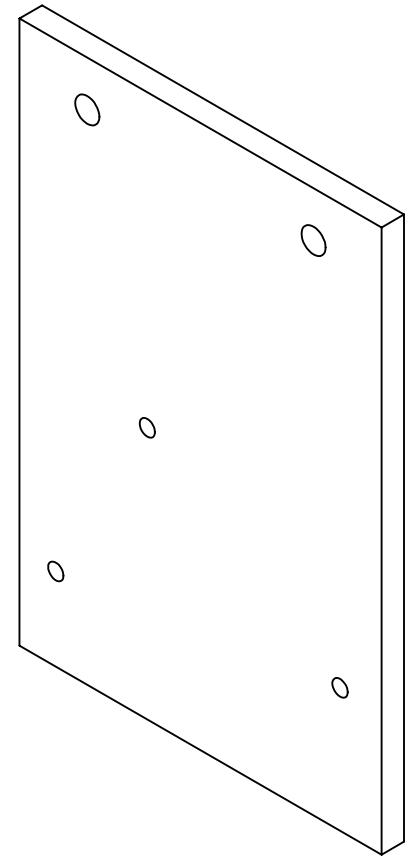
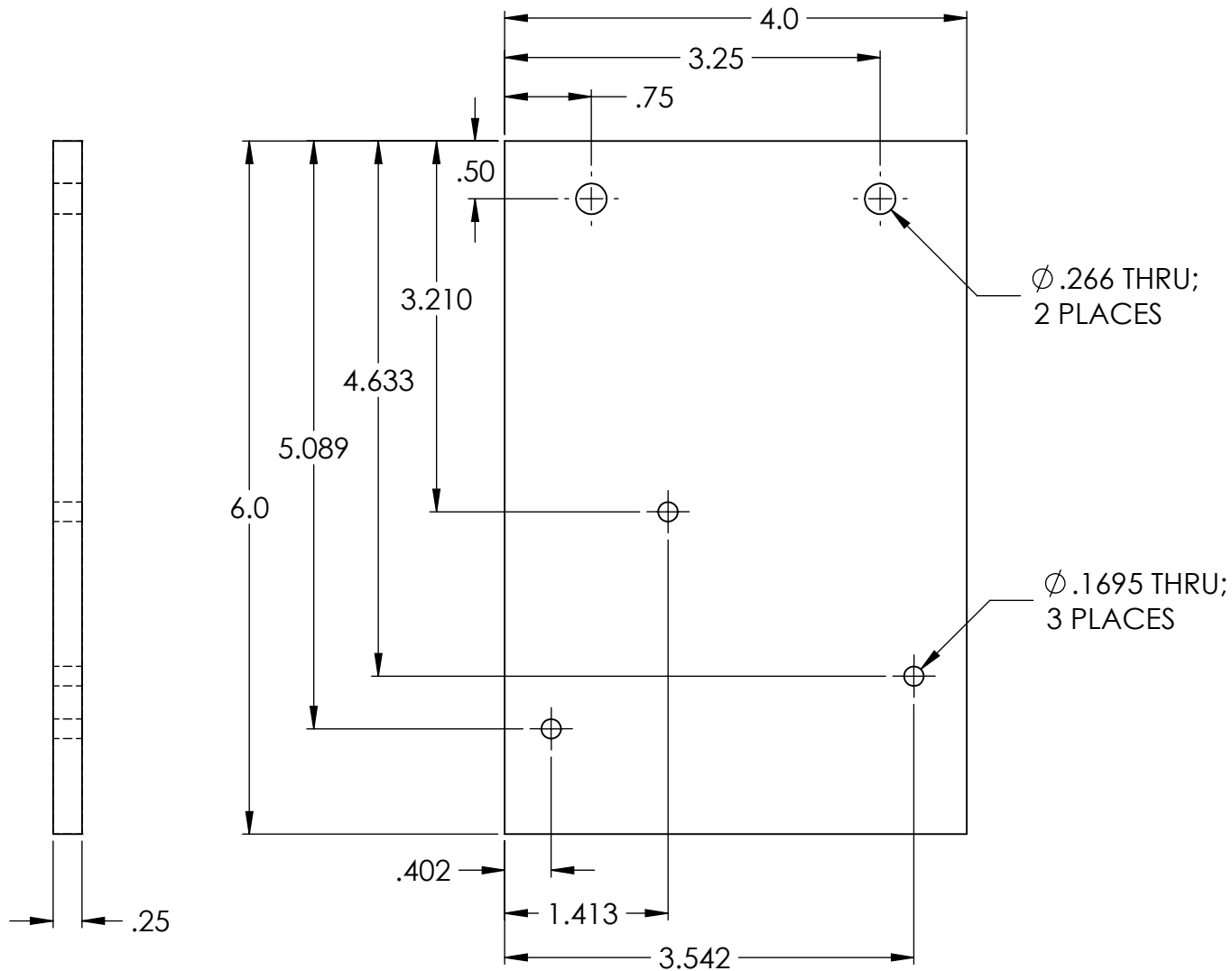


- NOTES:
 1. ALL DIMS IN INCHES
 2. QUANTITY: 1

TITLE:		ROBOT	
DRAWN		CAMERON MAZZOLA	
DESIGNED		GROUP 6A	
SIZE	DWG. NO.	REV	
A	EML2322L-A-001	B	
SCALE: 1:4.5		SHEET 1 OF 1	

DIMENSION TYPE	PLACES IN DIMENSION		
	0.0	0.00	0.000
LOCATIONAL	±0.050	±0.020	±0.005
ANGULAR	±5	±2	±0.5

**SolidWorks Student Edition.
 For Academic Use Only.**



- NOTES:
1. QTY: 2
 2. ALL DIMS IN INCHES
 3. MATL: ALUMINUM
 4. UNFINISHED SURFACES UNLESS NOTED
 5. BREAK ALL EDGES

TOLERANCE UNLESS NOTED			TITLE:			
OPERATION	PLACES IN DIMENSION			MOTOR MOUNT		
	0.0	0.00	0.000	DRAWN	MATTHEW T. MORAGUEZ	
MACHINING	±0.050	±0.020	±0.005	DESIGNED	MATTHEW T. MORAGUEZ	
CUT OFF (SAW, BURN, SHEAR)	±0.1	±0.060		SIZE	DWG. NO.	REV
WELDING	±0.1	±0.060		A	EML2322L-7043	A
ANGULAR DIMS	±5	±2	±0.5	SCALE: 2:3		SHEET 1 OF 1

