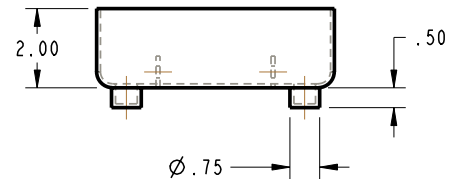
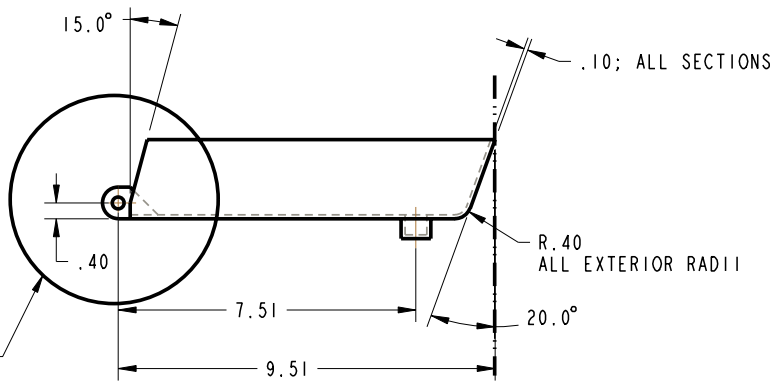
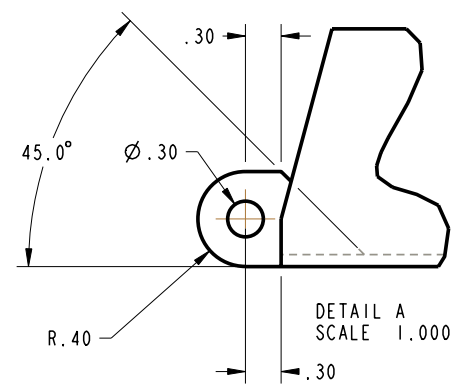


SCALE 0.300



ALL 2-PLACE DIMENSIONS ±.010
MAT'L: POLYPROPYLENE

UNIVERSITY of FLORIDA			C91XD01
SWITCH COVER C91XP01		SCALE: NOTED	
ADAMS, ANDREW E.	EML2023	DATE: 10/22/04	
	SECT 1018	ASSN: C9.1a	
Sig:		CAD075	