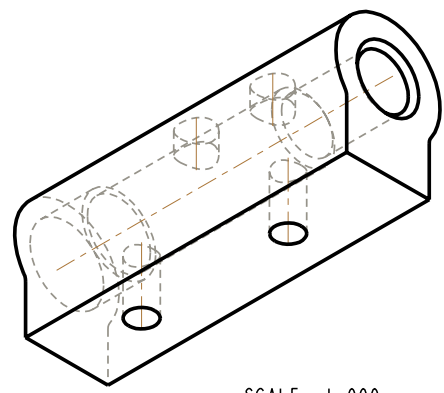
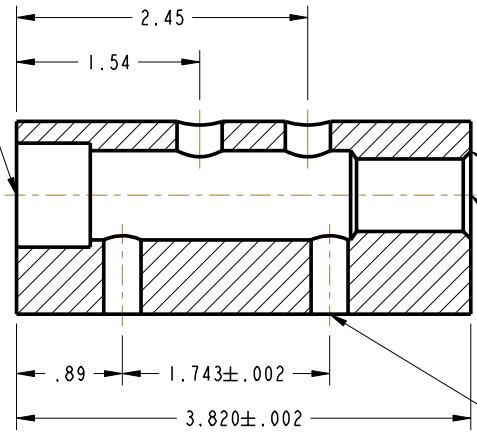
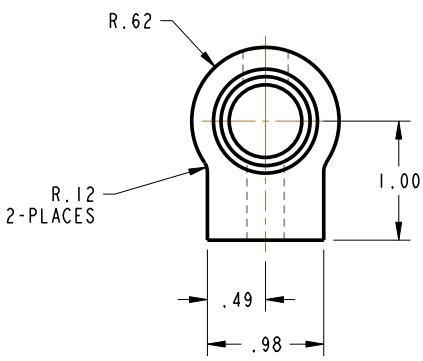


Ø .38 HOLE; 2-PLACES



SCALE 1.000

Ø .609 THRU
C'DRILL Ø .75 X 2.81 DEEP
C'BORE Ø .875 ± .001 X .62 DEEP



DRILL & TAP; 2-PLACES
5/16-24UNF-2B THRU

SECTION A-A

NOTE: This drawing is similar to BEARING C71XD51.drw

UNIVERSITY of FLORIDA			C61XD01
BEARING C61XP01.prt		SCALE: NOTED	
ADAMS, ANDREW E.	EML2023	DATE: 10/04/04	
	SECT 1018	ASSN: C6.1a	
Sig:		CAD075	