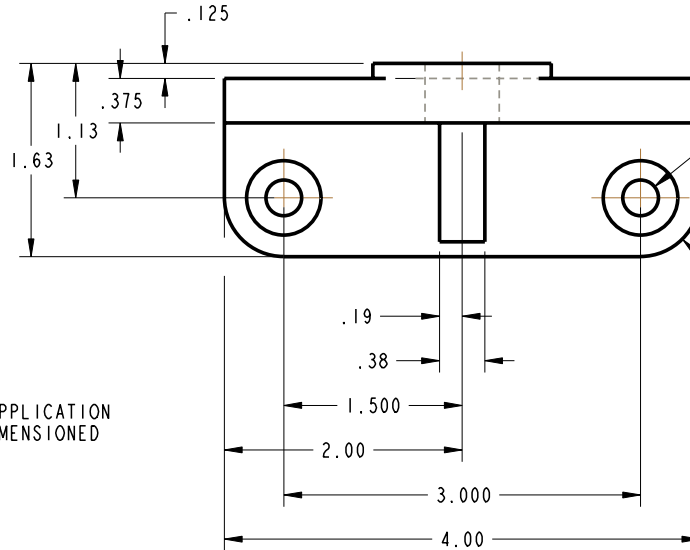


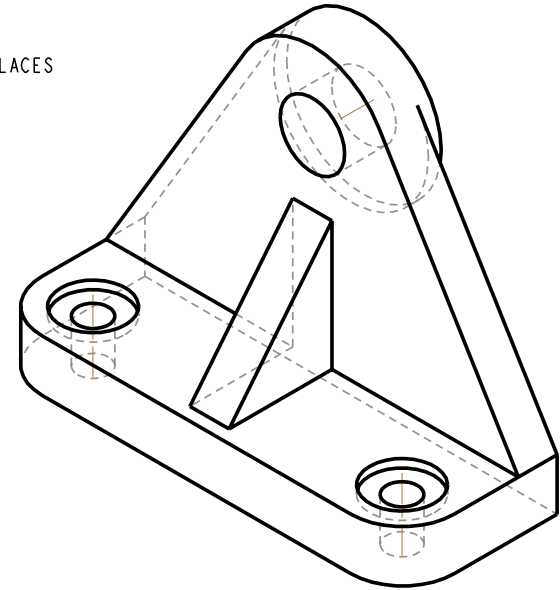
ALL 3-PLACE DECIMALS $\pm .002$
 ALL 2-PLACE DECIMALS $\pm .010$
 ALL ANGLES $\pm 0.1^\circ$



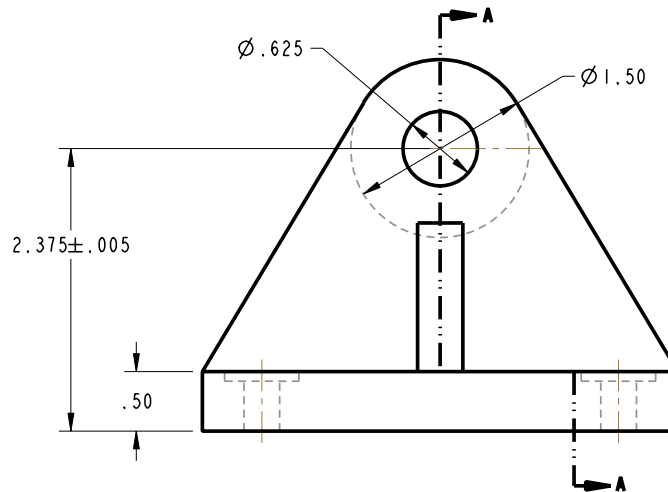
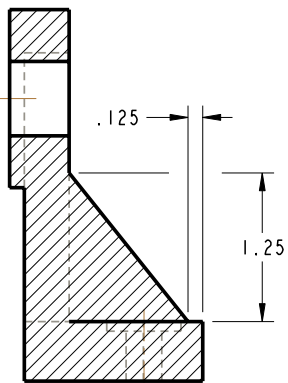
$\varnothing .30$ THRU; C-BORE $.625 \nabla .08$
 2-PLACES

R.50; 2-PLACES

NOTE: THE REQUIREMENTS OF THE APPLICATION
 REQUIRE THE PART TO BE DIMENSIONED
 AS SHOWN IN THIS DRAWING.



MAT'L: CAST BRONZE
 SCALE 1.225



SCALE 1.000

UNIVERSITY of FLORIDA			C51XD02
BEARING SUPPORT C51XP01.prt		SCALE: NOTED	
ADAMS, ANDREW E.	EML2023	DATE: 09/29/04	
	SECT 1018	ASSN: C5.1a	
Sig:		CAD075	