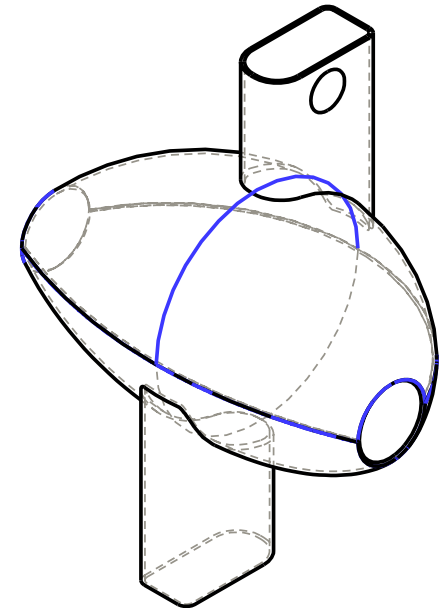
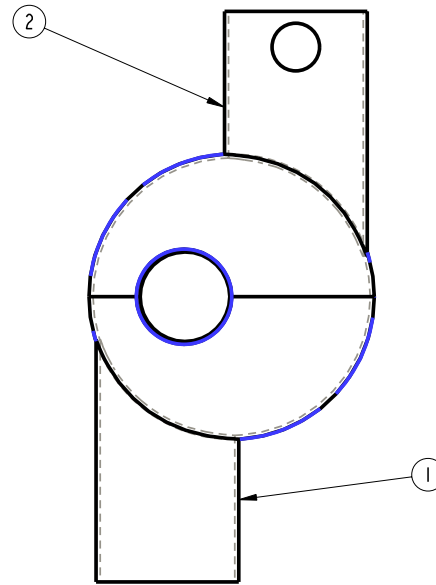


SCALE 0.200



SCALE 0.200

PART NUMBER	ITEM	QTY
C141XP01	1	1
C141XP02	2	1

UNIVERSITY of FLORIDA			C141XD03
VORTEX ASSEMBLY C141XA01.asm		SCALE: NOTED	
ADAMS, ANDREW E.	EML2023	DATE: 11/29/04	
	SECT 1018	ASSN: C14.1a	
Sig:		CAD075	